

Gyproc MF CURVE

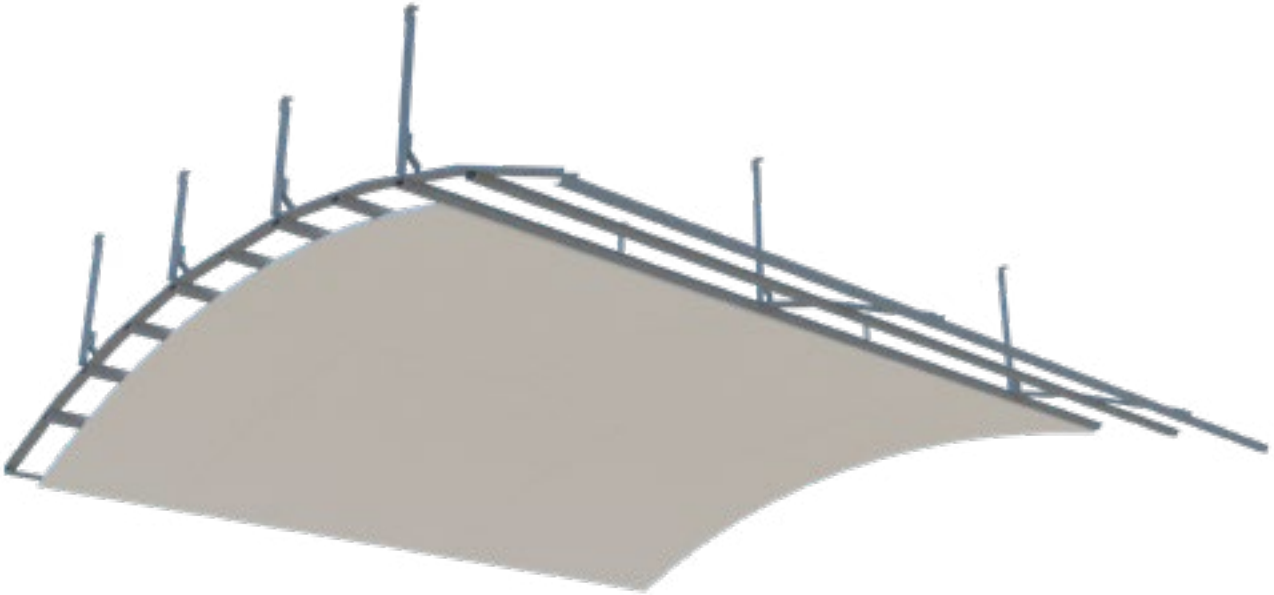


Concealed grid curved
ceiling system



Gyproc MF CURVE

Gyproc MF CURVE is a lightweight, non-loadbearing, suspended ceiling system for constructing curved ceilings and soffit linings. It can be used in conjunction with Gyproc perforated and non-perforated boards to create convex or concave ceilings.



Key Benefits



Can be used to create a unique, creative ceiling design using concave or convex curves



No board pre-wetting required



Minimum radius 1200mm



Normal jointing techniques apply



Ventilation ducts and other services accommodated in plenum



Compatible with wide range of Gyproc, Glasroc, Gyptone and Rigitone boards



Eligible for the SpecSure warranty from Gyproc

System components

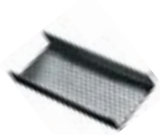
Gypframe metal components



Gypframe MF5 Ceiling Section
Secondary section supported by Gypframe MF7, used to receive board lining



Gypframe GA1 Steel Angle
Primarily used as a perimeter wall angle and ceiling hanger in the Gyproc MF Ceiling system



Gypframe MF7 Primary Support
Primary section to support Gypframe MF5 Ceiling Section



Gypframe Soffit Cleat with Nut & Bolt
Cleat for suspending MF ceiling Gypframe GA1 Steel Angle hangers from soffit

Board products



Gyproc Regular^{1, 2, 3}
(9, 12.5, 15mm)
Standard gypsum plasterboard



Aquaroc FC
(6, 9, 12, 15mm)
Fibre cement board with excellent moisture resistant characteristics and mechanical strength



Gyproc FireStop^{1, 2, 3}
(12.5, 15mm)
Gypsum plasterboard with fire resistant additives



Glasroc X²
(12.5mm)
Glasroc X is a high performance board with a glass-mat liner on both surfaces and a mold & moisture resistant (M2TECH) gypsum core



Gyproc SoundBloc^{1, 2}
(12.5, 15mm)
Gypsum plasterboard with a high density core for enhanced sound insulation performance



Gyptone BIG board
A range of perforated acoustic plasterboard with geometric set pattern with Activ'Air functionality



Gyproc DuraLine^{1, 2, 3}
(15mm)
Gypsum plasterboard with fire resistant additives and a high density core for enhanced sound insulation and impact resistance performance



Rigitone board
A range of perforated acoustic plasterboard with set or random design for continuous, jointless and borderless pattern with Activ'Air functionality



Gyproc Habito²
(12.5mm, 15mm)
Next generation plasterboard which consists of a specially reinforced gypsum core designed for high strength and fixing capability

¹ Moisture resistant (MR) versions of the above boards are specified in intermittent wet use areas, e.g. shower cubicles

² Available with Activ'Air technology

³ Available with M2TECH technology



System components (continued)

Fixing products



Gyproc Drywall Screws

Corrosion resistant self-tapping steel screws for fixing board to metal framing less than 0.8mm thick



Gyproc Habito Screws

Corrosion resistant self-tapping screw with counter sunk cross heads specifically used for fixing Gyproc Habito plasterboard to Gypframe framework



Gyproc Jack-Point Screws

Corrosion resistant self-drilling steel screws for fixing boards to Gypframe metal framing 0.8mm thick or greater and all 'I' studs



Gyproc Wedge Anchor

Corrosion resistant anchor used for fixing fire rated partition and ceiling systems into masonry



Gyproc Waferhead Screws

Corrosion resistant self-tapping steel screws for fixing metal to metal framing less than 0.8mm thick



Gyproc Waferhead Jack-Point Screws

Corrosion resistant self-drilling steel screws for fixing metal to metal framing 0.8mm thick or greater and all 'I' studs



Gyproc Hammer Fix

Corrosion resistant nail, screw engaged in a nylon plug, suitable for fixing non fire rated partition systems and ceiling perimeters into masonry

Plasterboard accessories



Gyproc Jointing Compound

Air-drying, asbestos free, ready mixed compound for filling and finishing plasterboard joints and corner beads



Rigitone Mix 600ml

Rigitone Mix is a ready filler for Rigitone perforated panel joints. It forms part of the Rigitone Ready Mix Set and is used in the Joint Filling Technique



Gyproc Sealant

Used for sealing air paths to reduce air-leakage and optimise sound insulation performance



Rigitone ReadyMix Set

The set contains 1 pistol, 2 ReadyMix adapters, 2 Fix joint nozzles, 1 scraper and 1 screw head template



Gyproc Paper Tape

Designed for reinforcing flat joints when finishing plasterboard joints providing improved resistance against cracking



Rigitone Installation Kit

Installation aid to ensure the boards are properly aligned. Should be selected as per the board perforation



Glasroc X Tape

Suitable for internal and semi-exposed applications when used in conjunction with Glasroc X, MR and M2TECH range of boards

Insulation products



ISOVER Eco Acoustic Partition Roll (APR)

(25, 50, 75 and 100mm)* Non-combustible glass mineral wool roll for sound insulation in partitions, linings and ceiling systems

Minimum density: 16 kg/m³



KIMMCO ISOVER Stone mineral wool

(50 and 70mm)* For fire stopping, where required

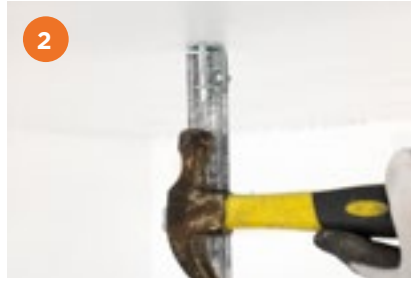
Minimum density: 50 kg/m³

* Available in other thickness and density

Installation overview



Gyproc GA1 Perimeter Angle is fixed to the wall at maximum 600mm centres using Gyproc Wedge Anchors (for fire rated systems) or Gyproc Hammer Fix (for non-fire rated systems).



Secure Gyproc Soffit Cleat using Gyproc Wedge Anchor.



Gyproc GA1 Steel Angles are pre-cut and secured to the Gyproc Soffit Cleats using Nut & Bolt (supplied).



Gyproc MF7 Primary Support Channel is to be rolled to the required radius at site. Fix Gyproc GA1 Hangers to Gyproc MF7 Primary Support Channel using Gyproc Waferhead Jack-Point Screws.



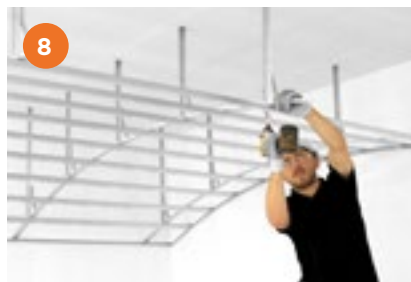
The rolled Gyproc MF7 Primary Support Channel is installed over the Gyproc GA1 Perimeter Angles and secured to Gyproc GA1 Hangers.



Secure the Gyproc MF7 Primary Support Channel by returning Gyproc GA1 hanger around it.



Gyproc MF5 Ceiling Sections are run at right angles to the underside of the rolled Gyproc MF7 Primary Support Channel to form the secondary grid.



Gyproc MF5 Ceiling Sections are fixed to the underside of the Gyproc MF7 Primary Support Channels to form a grid.



Gyproc plasterboards, Glasroc specialist boards, Gyptone boards or Rigitone boards are then screw fixed to the secondary grid with Gyproc Drywall screws to form the curvature of the ceiling.

Design

Planning - key factors

Gypframe MF7 Support Channel is to be rolled at site to the radius required. Board joints should be avoided on the apex of the curve for the exposed layer of board. Gypframe MF5 Ceiling Section positions should therefore be pre-determined at the design stage.

Degree of curvature

In common with other sheet materials, board-ends have a tendency to remain straight, and so the minimum achievable radius will be influenced by the board characteristics, the length of curve, the support centres, and the occurrence of board joints. See Table 1.

Table 1 - Minimum radii and framing centres

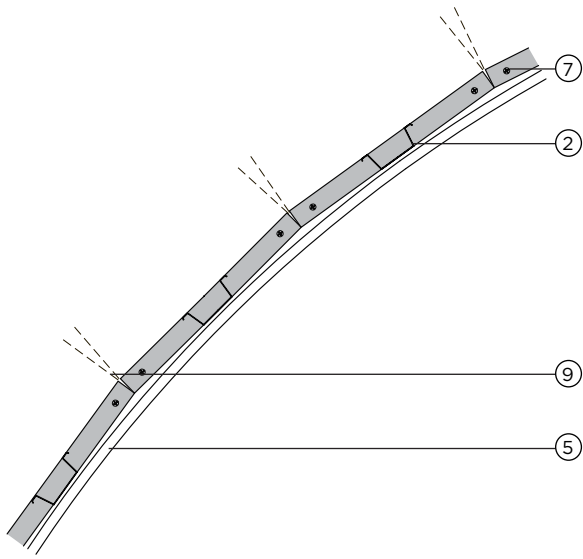
Board type	Board thickness mm	Minimum radius ¹ mm	MF5 support centres mm	Suspension - GA1 hanger centres mm	MF7 ² support centres mm
Gyptone Quattro 41 Gyptone Quattro 42 Gyptone Quattro 43 Gyptone Quattro 46 Gyptone Quattro 47 Gyptone Line 6 Gyptone Line 5	12.5	6000	300	900	1200
Gyptone Curve Line 6 Gyptone Curve Sixto 63 Gyptone Curve Quattro 41	6.5	2200	300	900	1200
Rigitone boards	12.5	2870	330	900	1000
Glasroc X	12.5	1200	300	1200	600
Regular	9 12.5 15	1800 3600 4800	300 300 300	1200 1200 1200	750 600 600
SoundBloc	12.5 15	2900 3600	300 300	1200 1200	600 600
FireStop	12.5 15	4800 5700	300 400	1200 1200	600 600
Habito	12.5 15	6000 7000	400 400	1200 1200	600 600
DuraLine	15	5700	400	1200	600
Aquaroc FC	6 9 12 15	1400 3000 6000 7000	300 300 400 600	1200 1200 1200 1200	600 600 600 600

¹ Concave or convex.

² Gypframe MF7 Primary Support Channel - rolled to the required radius at site.

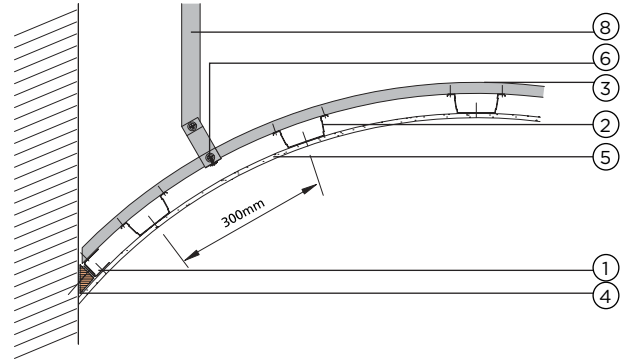
Construction details

1



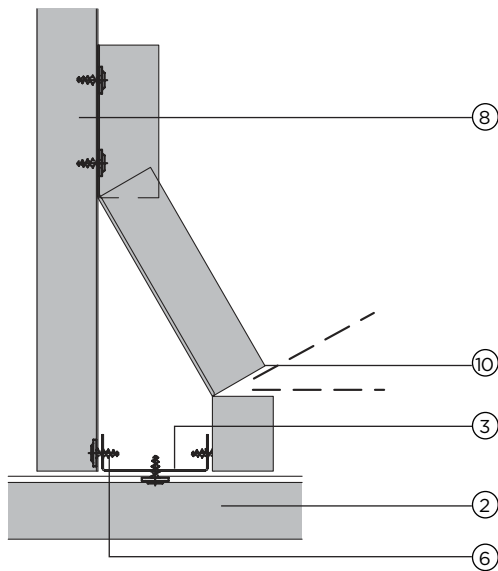
Gyproframe GA1 Steel Angle cut and fixed to line of curve at perimeter

2



Perimeter detail

3

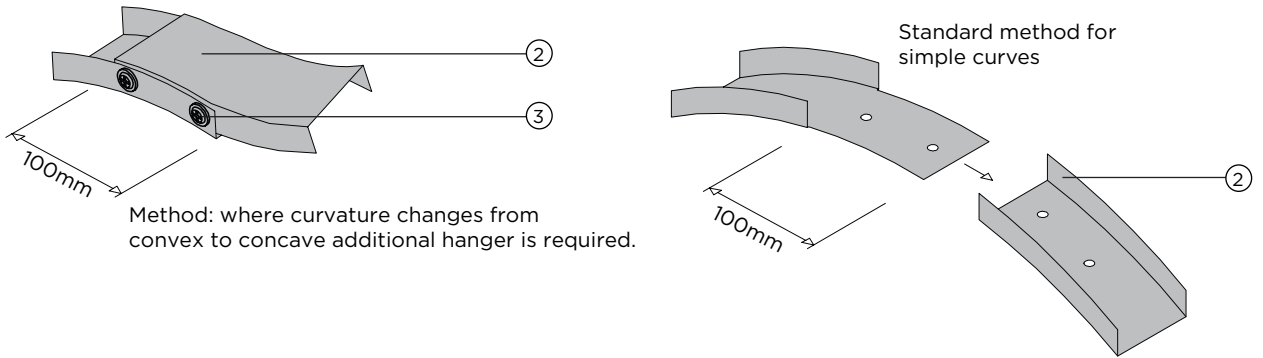


Gyproframe GA1 Hanger connection details with Gyproframe MF7 Primary Support Channel (rolled to required radius at site)

1. Gyproframe GA1 Steel Angle
2. Gyproframe MF5 Ceiling Section
3. Gyproframe MF7 Primary Support Channel - rolled to the required radius at site
4. Timber fillet
5. Gyproc lining board
6. Gyproc Waferhead Jack-Point Screw
7. Gyproc Wedge Anchors (for fire rated systems) or Gyproc Hammer Fix (for non-fire rated systems)
8. Gyproframe GA1 Steel Angle Hanger
9. Gyproframe GA1 Steel Angle cut and bent to required curve
10. Gyproframe GA1 Steel Angle cut, bent and fixed to GA1 Hanger and Gyproframe MF7

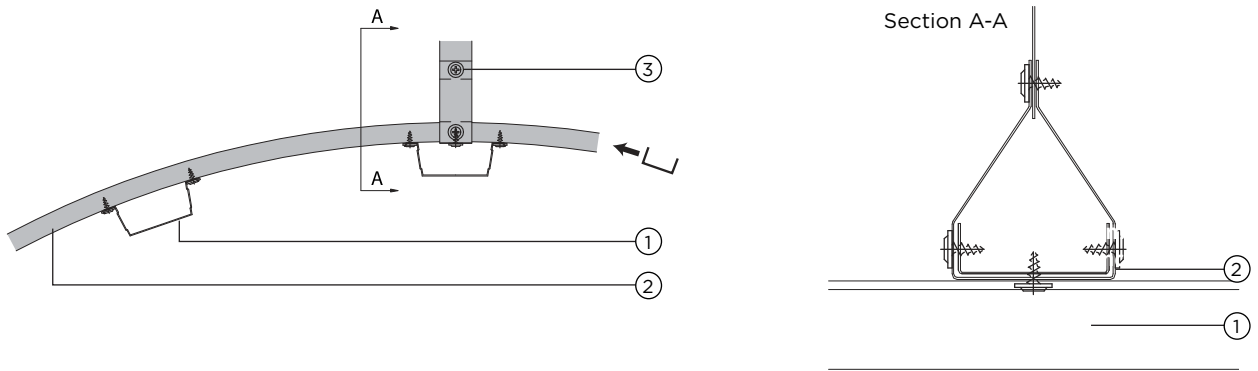
Construction details

4

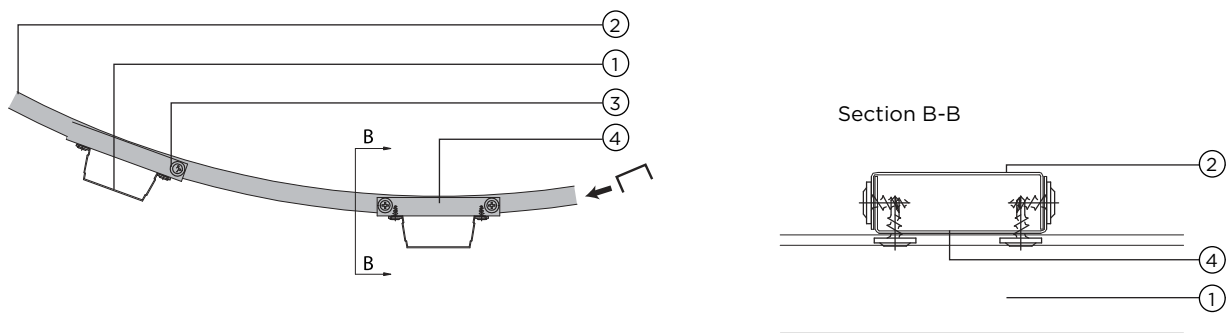


Methods of joining Gyproframe MF7 Primary Support Channels

5



6



- | | |
|---|--|
| <ol style="list-style-type: none"> 1. Gyproframe MF5 Ceiling Section 2. Gyproframe MF7 Curved Support Channel - rolled to the required radius at site | <ol style="list-style-type: none"> 3. Gyproc Waferhead Jack-Point Screw 4. Small section of Gyproframe MF7 Primary Support Channel fixed to provide a flat, positive fixing for the Gyproframe MF5 Ceiling Section positions |
|---|--|